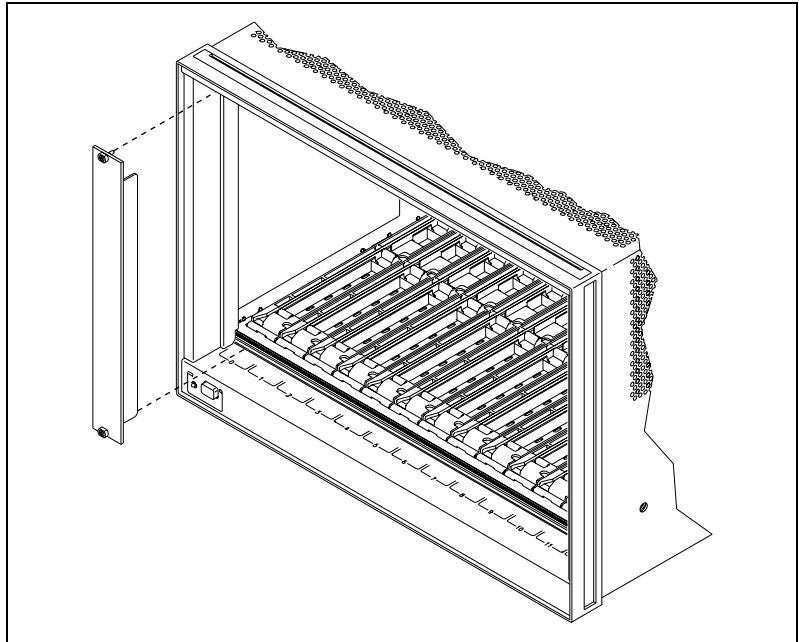


VXI-1501 EMI FILLER PANEL INSTALLATION GUIDE

Use the EMI filler panel to cover empty chassis slots. The filler panel has a shielding gasket on one side. The gasket makes contact with adjacent VXI modules, improving EMI performance of the complete system. You should install the filler panel in all unused slots for optimal performance. As with normal filler panels, the EMI filler panel also prevents fan air from escaping out the front of an open slot, thereby providing more efficient cooling of the installed modules.

Installing a Filler Panel

Install the EMI filler panel over a vacant slot opening so that the shielding gasket makes contact with any VXI modules for which you want to have additional radiated emissions shielding. Orient the filler panels so that the gasket of one panel contacts the smooth edge of the adjoining panel. Secure the panel to the chassis using top and bottom screws.



National Instruments™, NI™, and ni.com™ are trademarks of National Instruments Corporation. Product and company names mentioned herein are trademarks or trade names of their respective companies. For patents covering National Instruments products, refer to the appropriate location: **Help»Patents** in your software, the `patents.txt` file on your CD, or ni.com/patents.

October 2002
322830A-01